



Application

- Can be used to transfer clean water or other liquids similar to water in physical and chemical properties
- Suitable for water supply and drainage in garden irrigation, greenhouses, fish breeding and poultry raising. The pump also can be used for domestic automatic water supply places, such as lifting water from a deep well, pressure boosting of running water, etc.

Pump

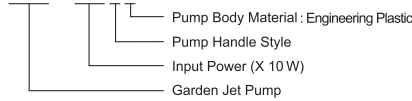
- Unique ergonomic design
- Max. fluid temperature: +35°C
- Max. suction: +8 m

Motor

- C&U bearing
- Built-in thermal protector
- Aluminum winding
- Insulation class: F
- Protection class: IPX4
- Max. ambient temperature: +40°C

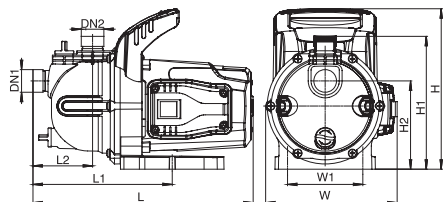
Identification Codes

LKJ – 80 1 P



Technical Data

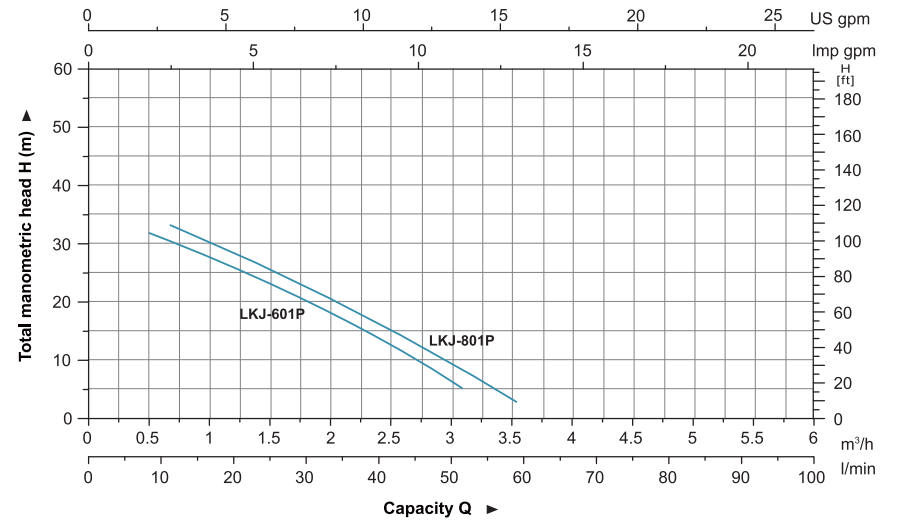
MODEL	POWER (P ₂)		Q (m ³ /h)																																					
	W	HP	0	0.6	1.2	1.8	2.4	3	3.6	4.2	4.8	5.4	6																											
LKJ-601P	600	0,8	<table border="1"> <thead> <tr> <th colspan="2">H (m)</th> <th>0</th><th>10</th><th>20</th><th>30</th><th>40</th><th>50</th><th>60</th><th>70</th><th>80</th><th>90</th><th>100</th> </tr> </thead> <tbody> <tr> <td></td> <td></td> <td>35</td><td>31</td><td>25,5</td><td>20</td><td>14</td><td>8</td><td>-</td><td>-</td><td>-</td><td>-</td><td>-</td> </tr> </tbody> </table>												H (m)		0	10	20	30	40	50	60	70	80	90	100			35	31	25,5	20	14	8	-	-	-	-	-
H (m)		0													10	20	30	40	50	60	70	80	90	100																
		35	31	25,5	20	14	8	-	-	-	-	-																												
LKJ-801P	800	1,1	39	34,5	29	23	16,5	9,5	-	-	-	-																												



Dimension

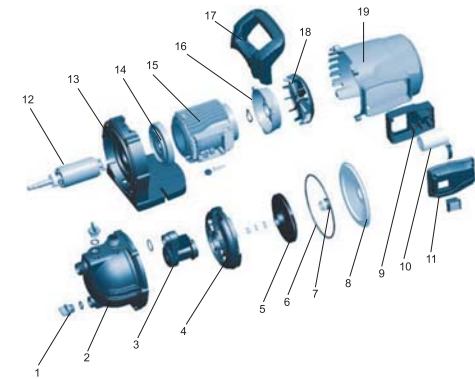
Model	DN1	DN2	L (mm)	W (mm)	H (mm)	L1 (mm)	L2 (mm)	W1 (mm)	H1 (mm)	H2 (mm)
LKJ-601P	1"	1"	350	210	255,5	221,5	94,5	120	211	140,5
LKJ-801P	1"	1"	350	210	255,5	221,5	94,5	120	211	140,5

Hydraulic Performance Curves



Materials Table

No.	Part	Material
1	Drain plug	PP
2	Pump body	PP
3	Enjector	PPO
4	Diffuser	PPO
5	Impeller	PPO
6	O-ring	NBR
7	Mechanical seal	Carbon/Ceramic
8	Bracket cover	AISI 304
9	Terminal board	ABS
10	Capacitor	
11	Switch cover	ABS
12	Rotor	
13	Motor flange	PP
14	Front plate	ZL102
15	Stator	
16	Rear cover	ZL102
17	Handle	PP
18	Fan	PP
19	Fan cover	ABS



Package Information

Model	GW (Kgs)	L (mm)	W (mm)	H (mm)	Quantity		
					20'/pcs	40'/pcs	40H'/pcs
LKJ-601P	6,8	375	230	280	1232	2512	2826
LKJ-801P	7,5	375	230	280	1232	2512	2826





Application

- Can be used to transfer clean water or other liquids similar to water in physical and chemical properties
- Suitable for water supply and drainage in garden irrigation, greenhouses, fish breeding and poultry raising. The pump also can be used for domestic automatic water supply places, such as lifting water from a deep well, pressure boosting of running water, etc.

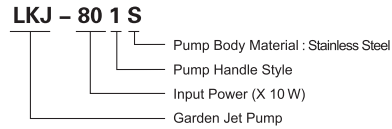
Pump

- Unique ergonomic design
- Max. fluid temperature: +35°C
- Max. suction: +8 m

Motor

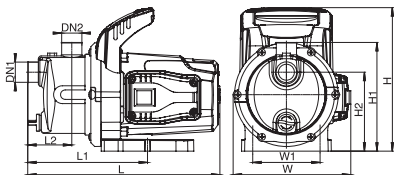
- C&U bearing
- Built-in thermal protector
- Aluminum winding
- Insulation class: F
- Protection class: IPX4
- Max. ambient temperature: +40°C

Identification Codes



Technical Data

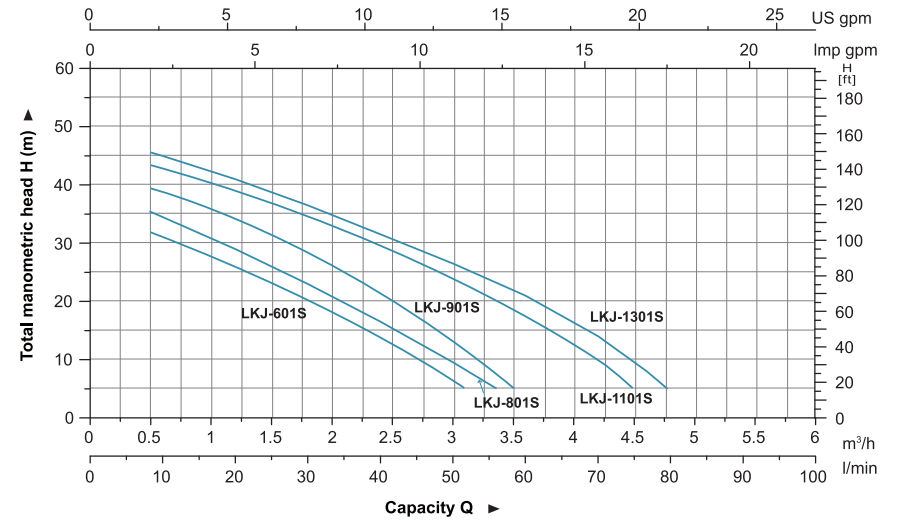
MODEL	POWER (P ₂)		Q (m ³ /h)											
	W	HP	0	0.6	1.2	1.8	2.4	3	3.6	4.2	4.8	5.4	6	
LKJ-601S	600	0.8	0	10	20	30	40	50	60	70	80	90	100	
LKJ-801S	800	1.1	35	31	25.5	20	14	8	-	-	-	-	-	
LKJ-901S	900	1.2	39	34.5	29	23	16.5	9.5	-	-	-	-	-	
LKJ-1101S	1100	1.5	43	39	34	28	21	12.5	3	-	-	-	-	
LKJ-1301S	1300	1.75	46	43	39	35	30	24	17	8	-	-	-	
			48	45	41	36.5	31.5	26.5	21	14	8	-	-	



Dimension

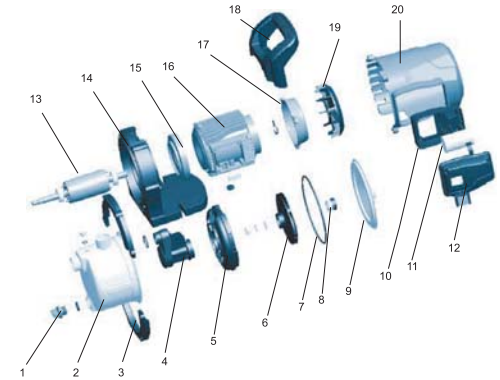
Model	DN1	DN2	L (mm)	W (mm)	H (mm)	L1 (mm)	L2 (mm)	W1 (mm)	H1 (mm)	H2 (mm)
LKJ-601S	1"	1"	342.5	210	255.5	221.5	78.5	120	193.5	140.5
LKJ-801S	1"	1"	342.5	210	255.5	221.5	78.5	120	193.5	140.5
LKJ-901S	1"	1"	369.5	243.5	284	233.5	87.5	120	215	165
LKJ-1101S	1"	1"	369.5	243.5	284	233.5	87.5	120	215	165
LKJ-1301S	1"	1"	369.5	243.5	284	233.5	87.5	120	215	165

Hydraulic Performance Curves



Materials Table

No.	Part	Material
1	Drain plug	PP
2	Pump body	AIISI 304
3	Holder	PP
4	Enjector	PPO
5	Diffuser	PPO
6	Impeller	PPO
7	O-ring	NBR
8	Mechanical seal	Carbon/Ceramic
9	Bracket cover	AIISI 304
10	Terminal board	ABS
11	Capacitor	
12	Switch cover	ABS
13	Rotor	
14	Motor flange	PP
15	Front plate	ZL102
16	Stator	
17	Rear cover	ZL102
18	Handle	PP
19	Fan	PP
20	Fan cover	ABS



Package Information

Model	GW (Kgs)	L (mm)	W (mm)	H (mm)	Quantity		
					20'/pcs	40'/pcs	40H'/pcs
LKJ-601S	6,9	375	230	280	1232	2512	2826
LKJ-801S	7,7	375	230	280	1232	2512	2826
LKJ-901S	9,2	395	260	320	868	1778	2032
LKJ-1101S	10,2	395	260	320	868	1778	2032
LKJ-1301S	10,6	395	260	320	868	1778	2032

